



[®] **nemag handles your bulk**

For many years now, Nemag is the preferred partner for the handling of dry bulk materials. Whether it is the handling of coal and iron ore or the loading and unloading of grain, animal feed, scrap metal, minerals, biomass or other bulk goods. Nemag ensures that you can work as efficiently as possible. All our products are made in close consultation to meet our clients' demand. That is why our grabs have such a strong reputation around the world.



Efficient bulk handling

Nemag was established in 1924, when it started repairing ships and grabs in the Rotterdam harbour. Since 1980, Nemag products find their way from a well-equipped manufacturing site in Zierikzee to leading companies around the world. Skilled and dedicated employees design and manufacture our products, using state-of-the-art technology and the finest materials. Quality products with perfect performance at the lowest possible cost per ton of cargo handled. Nemag products last longer, require little

maintenance and rarely malfunction. Many large dry bulk handling companies confirm this on a daily basis.

Development and innovation

Nemag spends a lot of time on research and development. Together with our customers, research institutes and universities, we continuously work on technological improvements and refinements. We investigate new materials, experiment with new types of grabs to increase efficiency for unloading cargo and to lowering the

costs per transhipped ton. Furthermore, we are always looking for ways to meet the increasingly strict environmental regulations. This way, we help our clients to fulfil their responsibility toward the environment.



the reliable, quick and safe coupling system by Nemag

Together, the patented Nemag Quick Release Link and Nemag Rope Pear Socket make up a highly efficient system that enables the quick coupling or uncoupling of steel wire ropes, chains and D-shackles. The use of this system in the bulk handling industry to change grabs is already wide-spread. But also in other industries where steel wire ropes have to be connected to other steel wire ropes or chains quickly and safely, these two ‘smart’ products are in great demand. In this brochure we will explain the straightforward, quick and effective functioning of Nemag’s Quick Release Link and Rope Pear Socket. Aside from that you will also find all technical data related to these products in this brochure.



Universally applicable

Together with the Nemag Rope Pear Socket the Nemag Quick Release Link forms a strong link between steel wire ropes and/or chains that can be uncoupled by one person within a few seconds through a very straightforward manoeuvre. Both Nemag products can be supplied for any type of crane, for any make or type of grab, and for any type of rope or chain.

Nemag & the Quick Release System

It is no surprise that Nemag invented a unique system for the quick coupling or uncoupling of ropes and chains. As a well-known designer and manufacturer of grabs, Nemag quickly found itself faced with the time-consuming nature of change over of grabs. As a result Nemag came up with the idea for the Quick Release Link; a C-section with a perfectly fitting locking piece, which can be opened or closed in no time using a special key.

User-friendly, quick and safe

The Quick Release Link is available in a range of sizes for grab working loads from 2,000 kg to 42,500 kg and breaking loads up to 260,000 kg. Apart from that Nemag has also developed a highly durable end connection for steel wire ropes: the Nemag Rope Pear Socket. These Rope Pear Sockets can be easily fitted to the steel wire rope without the need for any outside assistance. A range of different Rope Pear Sockets is available depending on the working load and the thickness of the rope. The Rope Pear Socket has been designed to pass over crane cable sheaves smoothly in combination with the Quick Release Link.

Strictest quality standards

The Nemag Quick Release Link and the Nemag Rope Pear Socket are manufactured with the greatest possible precision using high-grade steel, based on the strictest quality standards.

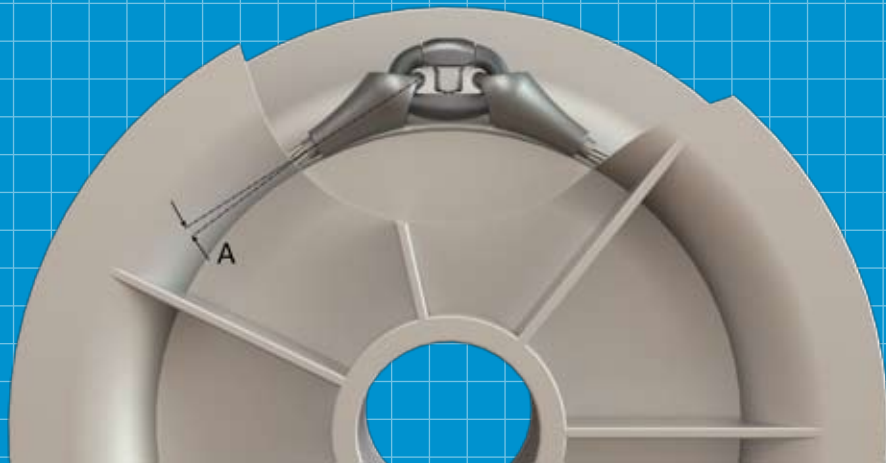
In addition to that Nemag has adopted a safety and quality program that involves periodic quality assessments and load testing. Every single Quick Release Link and Rope Pear Socket is checked before leaving the factory.





Ⓐ the quick release link

The Nemag Quick Release Link is developed to enable quick and straightforward coupling and uncoupling of grabs on cranes. The Nemag Quick Release Link is also being used for many years with great success in other applications where loads frequently have to be coupled or uncoupled using steel wire ropes and/or chains. The Nemag Quick Release Link is made up of a C-section and a locking piece. The C-section and the separate locking piece are made of special steel. The contact surfaces of the C-section have been hardened to achieve a long life span. The sealed locking piece is well protected against damage and dirt.



Advantages of the Nemaq Quick Release Link

- The Nemaq Quick Release Link is fitted to Nemaq grabs as standard, and is in addition also suitable for grabs from other manufacturers.
- The Nemaq Quick Release Link has been balanced and perfected to become the most reliable, quickest and safest coupling method for ropes and chains.
- The Nemaq Quick Release Link contributes to the efficiency of bulk handling, because the grabs can be changed in no time using the Nemaq Quick Release Link and Rope Pear Socket. This guarantees optimal productivity of the crane. (4-rope grabs for a 40 ton crane can, for example, be changed in 10 minutes by one person)
- The contact surfaces of the C-section have been hardened, which considerably lengthens the life span.
- The construction of the locking piece

ensures reliable functioning; even under severe circumstances.

- The locking pieces are interchangeable.
- The ingenious locking piece guarantees maximum safety.
- The Nemaq Quick Release Link stands out because of its great user-friendliness and extremely quick functioning.
- The quality and safe functioning of the Nemaq Quick Release Link is checked continuously through internal procedures.
- If desired it can be supplied with a 3.2 mark (for example L.R.S. or A.B.S.)

The key

Nemaq also supplies a key especially designed for the Quick Release Link. This key has a hexagonal head that fits into the keyhole of the locking piece. The horizontal handle provides sufficient grip to be able to open or close any locking piece with one short movement. The

sharp end of the handle can be used to remove dirt on the outside (of the keyhole).

High capacities / special applications

Nemaq is able to provide special Quick Release Links for out-of-the ordinary applications like off-shore applications. As part of that we supply special Quick Release Links with a breaking load up to 9000kN, including all required safety certificates.

the quick release link



characteristics

- Minimal breaking load of 25.000-260.000 kg
- Safe working loads of 3.000-42.500 kg (at grabbing operation)
- C-section of high-grade forged steel, refined to a tensile strength of 1000-1100 N/mm²
- Locking piece of high-grade forged steel, refined to a tensile strength of 800-1000N/mm²
- Locking piece is equipped with a safety lock
- Contact surfaces hardened
- A safe closing-mechanism; no risk of accidental unscrewing during operation
- Opens and closes within seconds
- Grab change in approx. 10 minutes by one person
- Can also be used as a split link between chains
- The perfect range of sizes ensures interchangeability of C-sections and locking pieces
- Every Quick Release Link is delivered with its own certificate

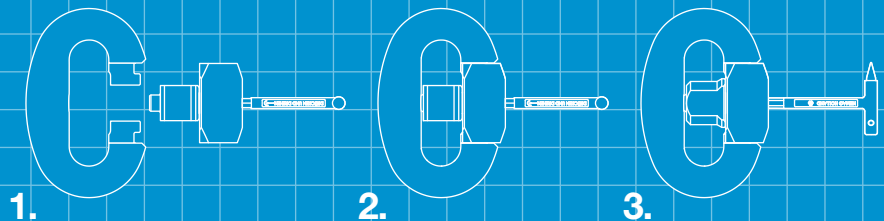
coupling and uncoupling within a few seconds

Coupling:

Step 1: place the locking piece in the C-section

Step 2: turn the key 90° to the right...

Step 3: until you hear a click

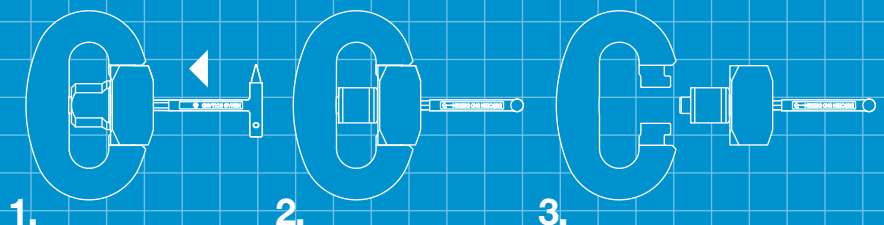


Uncoupling:

Step 1: apply the key, press and...

Step 2: turn 90°

Step 3: remove the locking piece





the added value of the quick release link

Simple

Safe

Quick

Reliable even in the toughest of conditions

Short delivery time

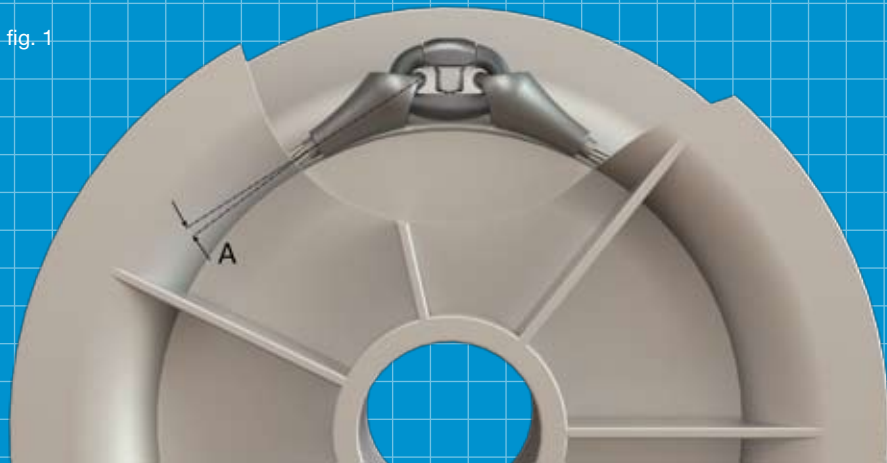
Worldwide distribution



the rope pear socket

The Rope Pear Socket is an end connection especially designed by Nemag for steel wire rope. Using the Nemag Rope Pear Socket a strong connection can be made, and the rope can be coupled to other ropes and chains in the best possible way; and even more so in combination with the Nemag Quick Release Link. The Nemag Rope Pear Socket is cast from high-grade austenitic manganese steel and generally lasts longer than the steel wire rope itself. Austenitic manganese steel combines a great toughness and a high resistance to wear.

fig. 1



Advantages of the Nemag Rope Pear Socket

- The Nemag Rope Pear Socket is designed to, in combination with the Nemag Quick Release Link, smoothly pass over cable sheaves.
- The life span of the Nemag Rope Pear Socket generally surpasses that of the steel wire rope.
- The Rope Pear Socket can be fitted by casting with a 2-component casting mass without the need for outside assistance, and ensures a strong connection.
- Our range of Rope Pear Sockets is suited to any type of steel wire rope.

The Rope Pear Socket for compacted steel wire rope (the S-series)

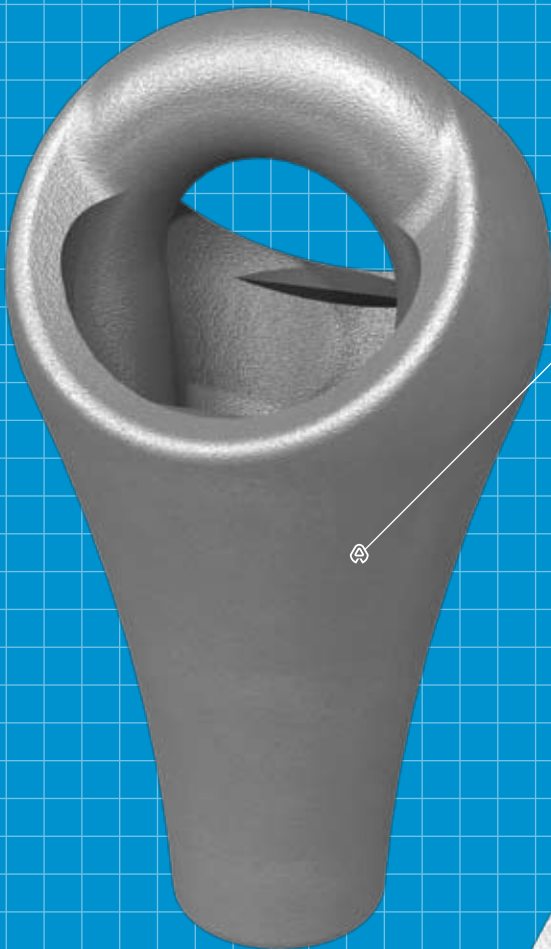
The new, additional series of Rope Pear Sockets of the "S-type" was designed for special steel wire ropes. Examples of

this are the 8-strand steel wire ropes (for example CASAR Turboplast or similar makes). In comparison with standard steel wire ropes in 6x36WS version, these special wire ropes combine a smaller diameter with a higher breaking load. The Nemag S-series of Rope Pear Sockets designed especially for this type of steel wire rope. The safety factor of the Rope Pear Socket is therefore in line with that of this type of steel wire rope. This means that the new Rope Pear Socket offers additional safety in comparison to the existing range of Rope Pear Sockets. The geometry of this new range of Rope Pear Sockets has also been adjusted to create an even more favourable situation with regard to wire deflection behind the Rope Pear Socket. This decreases steel wire rope fatigue and benefits the life span of the steel wire rope (see fig. 1).

The most important advantages

- Especially designed for compacted steel wire rope.
- Increased safety.
- Less steel wire rope fatigue as a result of a better deflection angle of the steel wire rope upon passing over the cable sheave.
- Longer life span of the steel wire rope at the casting place.
- Optimal, new design of the Rope Pear Socket for improved sheave passage.

the rope pear socket



characteristics

Minimal breaking load of
10.000 -240.000 kg

Safe workloads of 1.500-42.500 kg
(grab duty)

Robust design

High-grade wear-resistant casted steel

Optimal fit and suited for trolley or
crane sheave passage

Reusable

Simple, safe and reliable with a long
life-expectancy

type s characteristics

Optimal fit for compacted steel wire rope

Minimal breaking load of
70.000 -215.000 kg

Safe workloads of 11.000-36.000 kg
(grab duty)

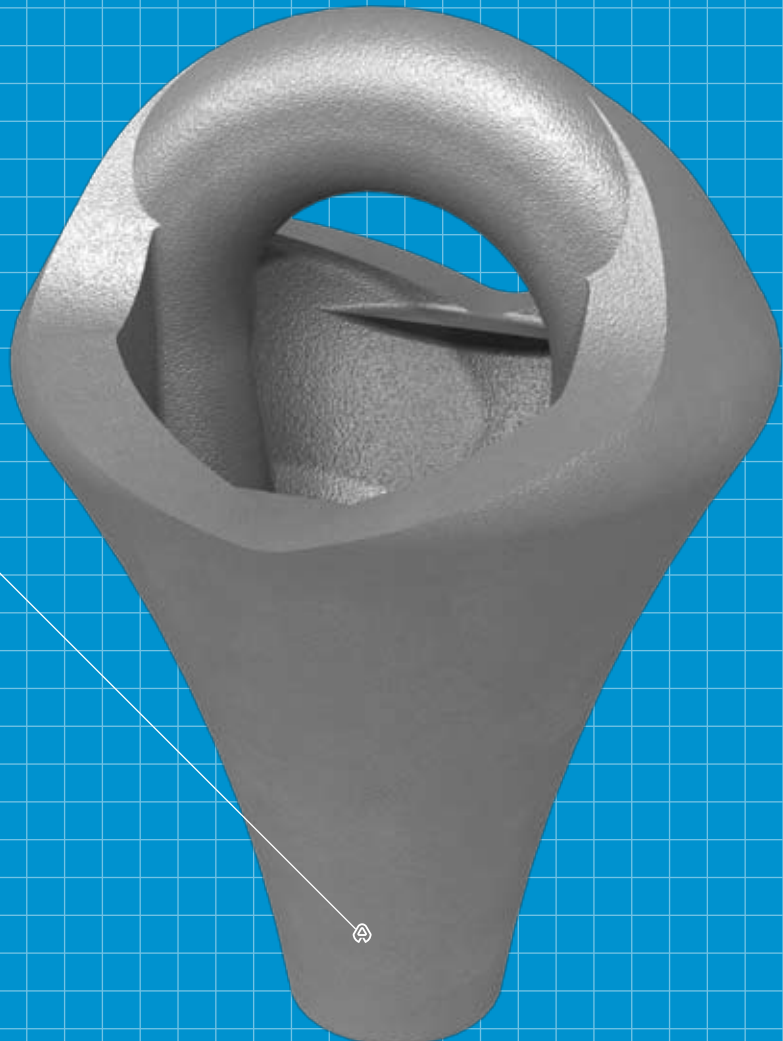
Robust design

High-grade wear-resistant casted steel

Optimal fit and suited for trolley or
crane sheave passage

Reusable

Simple, safe and reliable with a long
life-expectancy





the added value of the rope pear socket

Simple

Safe

Fits perfectly onto the cable

Suitable for passage of sheaves, little deflection of the cable behind the pear socket

A long operating lifetime

Short delivery time

Worldwide distribution

the added value of the rope pear socket type s

A unique design, designed specifically for compacted steel wire rope

Simple

Safe

Fits perfectly onto the cable

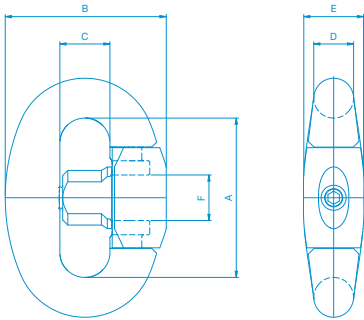
Suitable for passage of sheaves, little deflection of the cable behind the pear socket

A long operating lifetime

Short delivery time

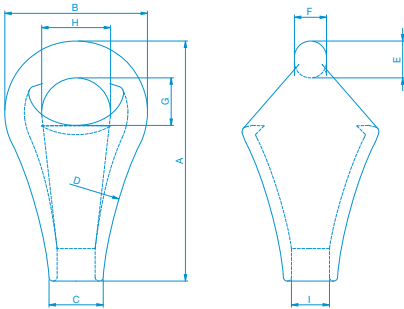
Worldwide distribution

1. Technical specifications of Nemag Quick Release Links



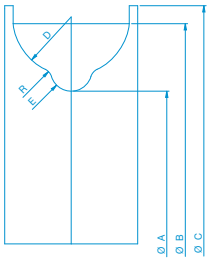
| Link no. | Working load* kg | Breaking load kg | Size in mm | | | | | | Weight kg |
|----------|---------------------|---------------------|------------|-----|------|----|------|----|--------------|
| | | | A | B | C | D | E | F | |
| 4 | 3000 | 25000 | 76 | 76 | 24,5 | 19 | 30 | 21 | 0,9 |
| 5 | 4500 | 33000 | 84 | 84 | 27 | 21 | 32,5 | 23 | 1,2 |
| 6 | 5000 | 37500 | 92 | 92 | 29,5 | 23 | 35 | 25 | 1,5 |
| 7 | 7000 | 49000 | 100 | 100 | 32 | 25 | 38 | 28 | 2,0 |
| 8 | 8000 | 54000 | 108 | 108 | 34,5 | 27 | 40,5 | 31 | 2,5 |
| 9 | 9500 | 60000 | 116 | 116 | 37 | 29 | 43,5 | 34 | 3,1 |
| 10 | 12000 | 75000 | 128 | 128 | 40,5 | 32 | 48 | 37 | 4,4 |
| 11 | 15000 | 95000 | 140 | 140 | 44 | 35 | 53 | 40 | 5,7 |
| 12 | 17000 | 110000 | 152 | 152 | 47,5 | 38 | 57 | 43 | 7,2 |
| 13 | 21000 | 135000 | 164 | 164 | 51 | 41 | 61,5 | 46 | 8,7 |
| 14 | 26000 | 160000 | 176 | 173 | 54 | 44 | 66 | 50 | 11 |
| 15 | 30000 | 175000 | 188 | 188 | 58 | 47 | 70,5 | 52 | 13,5 |
| 17 | 42500 | 260000 | 222 | 222 | 68 | 56 | 84 | 62 | 23 |

2. Technical specifications of Nemag Rope Pear Sockets



| Pear no. | Wire rope Ø mm | Work. load* kg | Break. load kg | Size in mm | | | | | | | | | Weight kg |
|----------|-------------------|-------------------|-------------------|------------|-----|----|-----|------|------|----|----|----|--------------|
| | | | | A | B | C | D | E | F | G | H | I | |
| 1 | 10-11 | 1500 | 10000 | 81 | 48 | 22 | 195 | 12 | 11,5 | 20 | 24 | 12 | 0,4 |
| 2 | 12-13 | 2000 | 14000 | 95 | 56 | 25 | 195 | 15,5 | 13,5 | 22 | 25 | 14 | 0,5 |
| 3 | 14-15 | 2500 | 17500 | 109 | 64 | 28 | 220 | 17,5 | 15,5 | 24 | 29 | 16 | 0,6 |
| 4 | 16-17 | 3000 | 22500 | 123 | 70 | 31 | 220 | 19,5 | 17,5 | 26 | 31 | 18 | 0,9 |
| 5 | 18-19 | 4500 | 27500 | 135 | 84 | 33 | 245 | 21 | 19 | 30 | 42 | 20 | 1,3 |
| 6 | 20-21 | 5000 | 35000 | 152 | 84 | 36 | 310 | 23 | 21 | 33 | 38 | 23 | 1,7 |
| 7 | 22-24 | 7000 | 42500 | 166 | 100 | 40 | 310 | 26 | 23 | 37 | 48 | 26 | 2,3 |
| 8 | 25-27 | 8000 | 52500 | 186 | 100 | 43 | 350 | 28 | 25 | 39 | 44 | 29 | 3,2 |
| 9 | 28-30 | 11000 | 70000 | 202 | 120 | 45 | 350 | 31 | 27 | 40 | 58 | 32 | 4,1 |
| 10 | 31-33 | 13000 | 85000 | 222 | 120 | 52 | 445 | 32 | 28,5 | 45 | 56 | 37 | 5,2 |
| 11 | 34-36 | 15000 | 95000 | 239 | 142 | 55 | 445 | 36 | 31,5 | 50 | 70 | 40 | 6,4 |
| 12 | 37-39 | 17000 | 110000 | 264 | 142 | 60 | 495 | 39 | 34,5 | 51 | 64 | 41 | 7,9 |
| 13 | 40-42 | 21000 | 125000 | 285 | 166 | 63 | 555 | 43 | 36,5 | 59 | 80 | 44 | 9,5 |
| 14 | 43-45 | 26000 | 155000 | 312 | 166 | 68 | 595 | 47 | 40 | 62 | 72 | 48 | 11,2 |
| 15 | 46-48 | 30000 | 180000 | 337 | 170 | 75 | 595 | 51 | 44 | 66 | 68 | 53 | 13 |
| 17 | 52-56 | 42500 | 240000 | 400 | 220 | 84 | 880 | 60 | 54 | 75 | 90 | 59 | 23 |

3. Sizes of Cable Sheaves



| Pear no. | Rope Ø mm | Link no. | Size in mm | | | | | |
|----------|--------------|----------|------------|------|------|-----|----|----|
| | | | A | B | C | D | E | R |
| 4 | 16-17 | 4 | 560 | 694 | 750 | 60 | 9 | 7 |
| 5 | 18-19 | 4-5-6 | 630 | 788 | 850 | 70 | 10 | 9 |
| 6 | 20-21 | 5-6-7 | 710 | 880 | 960 | 75 | 11 | 12 |
| 7 | 22-24 | 6-7-8-9 | 710 | 890 | 970 | 80 | 12 | 10 |
| 8 | 25-27 | 7-8-9 | 800 | 984 | 1060 | 80 | 14 | 13 |
| 9 | 28-30 | 8-9-10 | 900 | 1116 | 1210 | 95 | 15 | 13 |
| 10 | 31-33 | 9-10-11 | 1000 | 1240 | 1360 | 105 | 17 | 16 |
| 11 | 34-36 | 10-11-12 | 1000 | 1240 | 1360 | 105 | 19 | 14 |
| 12 | 37-39 | 11-12-13 | 1200 | 1450 | 1560 | 110 | 20 | 12 |
| 13 | 40-42 | 12-13-14 | 1200 | 1450 | 1560 | 110 | 21 | 12 |
| 14 | 43-45 | 13-14-15 | 1400 | 1655 | 1760 | 110 | 23 | 16 |
| 15 | 46-48 | 14-15 | 1600 | 1870 | 1960 | 110 | 25 | 25 |
| 17 | 52-56 | 17 | 1800 | 2085 | 2200 | 122 | 29 | 18 |

Combination of the Nemag Rope Pear Socket with Nemag Quick Release Link

On the tables

The listed cable sheaves generally have the measurements as stated in table 3. A Rope Pear Socket can be fitted to a Quick Release Link of the same size, or to a link with a different size as indicated in table 4. The following provides an example of how you can find out the right size link and Rope Pear Socket, and ensure additional safety.

For example:

A wire rope diameter of 26 mm

Safe working load steel wire rope: 6,000 kg

According to table 2: Rope Pear Socket no. 8

According to table 1: Quick Release Link no. 7 would be possible

4. Possible combinations

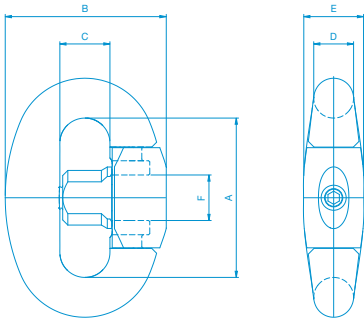
| Pear no. | Link no. |
|----------|----------|
| 1 | |
| 2 | |
| 3 | 4 |
| 4 | 4-5 |
| 5 | 4-5-6 |
| 6 | 5-6-7 |
| 7 | 6-7-8-9 |
| 8 | 7-8-9 |
| 9 | 8-9-10 |
| 10 | 9-10-11 |
| 11 | 10-11-12 |
| 12 | 11-12-13 |
| 13 | 12-13-14 |
| 14 | 13-14-15 |
| 15 | 14-15 |
| 17 | 17 |

See our warning instructions at page 19.

*The working load is the recommended maximum load for grabbing operations when Quick Release Links and Rope Pear Sockets are passing over a special cable sheave. For other applications a safety factor in line with official international and national guidelines has to be adhered to.

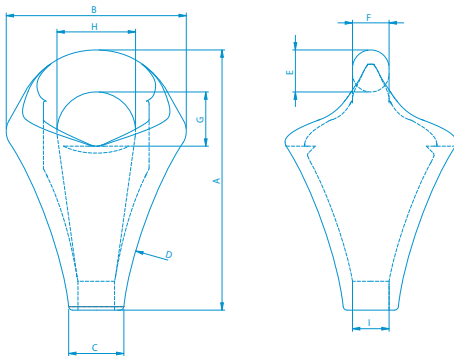
Dimension tables are subject to change.

5. Technical specifications of Nemag Quick Release Links



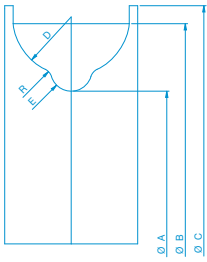
| Link no. | Working load* kg | Breaking load kg | Size in mm | | | | | | Weight kg |
|----------|---------------------|---------------------|------------|-----|------|----|------|----|--------------|
| | | | A | B | C | D | E | F | |
| 4 | 3000 | 25000 | 76 | 76 | 24,5 | 19 | 30 | 21 | 0,9 |
| 5 | 4500 | 33000 | 84 | 84 | 27 | 21 | 32,5 | 23 | 1,2 |
| 6 | 5000 | 37500 | 92 | 92 | 29,5 | 23 | 35 | 25 | 1,5 |
| 7 | 7000 | 49000 | 100 | 100 | 32 | 25 | 38 | 28 | 2,0 |
| 8 | 8000 | 54000 | 108 | 108 | 34,5 | 27 | 40,5 | 31 | 2,5 |
| 9 | 9500 | 60000 | 116 | 116 | 37 | 29 | 43,5 | 34 | 3,1 |
| 10 | 12000 | 75000 | 128 | 128 | 40,5 | 32 | 48 | 37 | 4,4 |
| 11 | 15000 | 95000 | 140 | 140 | 44 | 35 | 53 | 40 | 5,7 |
| 12 | 17000 | 110000 | 152 | 152 | 47,5 | 38 | 57 | 43 | 7,2 |
| 13 | 21000 | 135000 | 164 | 164 | 51 | 41 | 61,5 | 46 | 8,7 |
| 14 | 26000 | 160000 | 176 | 173 | 54 | 44 | 66 | 50 | 11 |
| 15 | 30000 | 175000 | 188 | 188 | 58 | 47 | 70,5 | 52 | 13,5 |
| 17 | 42500 | 260000 | 222 | 222 | 68 | 56 | 84 | 62 | 23 |

6. Technical specifications of Nemag Rope Pear Sockets type S



| Pear no. | Wire rope Ø mm | Work. load* kg | Break. load kg | Size in mm | | | | | | | | | Weight kg |
|----------|-------------------|-------------------|-------------------|------------|-----|----|-----|----|------|----|----|----|--------------|
| | | | | A | B | C | D | E | F | G | H | I | |
| 924 | 22-24 | 11000 | 70000 | 192 | 133 | 40 | 325 | 31 | 27 | 40 | 58 | 27 | 4 |
| 1026 | 25-27 | 13000 | 85000 | 212 | 143 | 43 | 375 | 35 | 30,5 | 43 | 60 | 30 | 5 |
| 1130 | 28-30 | 15000 | 95000 | 239 | 156 | 45 | 400 | 36 | 31,5 | 50 | 70 | 33 | 7 |
| 1232 | 31-33 | 17000 | 110000 | 249 | 165 | 52 | 450 | 39 | 34,5 | 57 | 72 | 36 | 8,5 |
| 1336 | 34-36 | 21000 | 125000 | 285 | 184 | 62 | 450 | 43 | 36,5 | 60 | 80 | 40 | 9,5 |
| 1440 | 37-40 | 26000 | 155000 | 297 | 192 | 60 | 475 | 47 | 40 | 62 | 80 | 44 | 12 |
| 3221 | 42-44 | 32500 | 189000 | 314 | 204 | 66 | 425 | 53 | 46 | 70 | 80 | 47 | 13,5 |
| 1548 | 46-48 | 30000 | 180000 | 329 | 192 | 67 | 575 | 51 | 44 | 66 | 80 | 52 | 12,5 |
| 1648 | 46-48 | 36000 | 215000 | 343 | 218 | 70 | 500 | 56 | 50 | 75 | 90 | 52 | 18 |

7. Sizes of Cable Sheaves



| Pear no. | Rope Ø mm | Link no. | Size in mm | | | | | |
|----------|--------------|----------|------------|------|------|-----|----|----|
| | | | A | B | C | D | E | R |
| 924 | 22-24 | 8-9-10 | 710 | 890 | 970 | 80 | 12 | 10 |
| 1026 | 25-27 | 9-10-11 | 800 | 984 | 1060 | 80 | 14 | 13 |
| 1130 | 28-30 | 10-11-12 | 900 | 1116 | 1210 | 95 | 15 | 13 |
| 1232 | 31-33 | 11-12 | 1000 | 1240 | 1360 | 105 | 17 | 16 |
| 1336 | 34-36 | 12-13-14 | 1000 | 1240 | 1360 | 105 | 19 | 14 |
| 1440 | 37-40 | 13-14-15 | 1200 | 1450 | 1560 | 110 | 20 | 12 |
| 3221 | 42-44 | 15 | 1200 | 1455 | 1560 | 110 | 23 | 16 |
| 1548 | 46-48 | 14-15 | 1400 | 1655 | 1760 | 110 | 25 | 16 |
| 1648 | 46-48 | 15-17 | 1400 | 1680 | 1760 | 122 | 25 | 16 |

Combination of the Nemag Rope Pear Socket type S with the Nemag Quick Release Link

On the tables

The listed cable sheaves generally have the measurements as stated in table 7. A Rope Pear Socket can be fitted to a Quick Release Link of the same size, or to a link with a different size as indicated in table 8. The following provides an example of how you can find the right size link and Rope Pear Socket, and ensure additional safety.

For example:

A wire rope diameter of 26 mm

Safe working load steel wire rope: 10,000 kg

According to table 6: Rope Pear Socket no. 1026

According to table 5: Quick Release Link no.10 would be possible

8. Possible combinations

| Pear no. | Link no. |
|----------|----------|
| 924 | 8-9-10 |
| 1026 | 9-10-11 |
| 1130 | 10-11-12 |
| 1232 | 11-12 |
| 1336 | 12-13-14 |
| 1440 | 13-14-15 |
| 3221 | 15 |
| 1548 | 14-15 |
| 1648 | 15-17 |

See our warning instructions at page 19.

*The working load is the recommended maximum load for grab duty when Quick Release Links and Rope Pear Sockets are passing over a special cable sheave. For other applications a safety factor in line with official international and national guidelines has to be adhered to.

Dimension tables are subject to change.



maintenance and ordering

The Nemag Quick Release Links and Rope Pear Sockets are indispensable when it comes to reliable systems for the connecting and disconnecting of all sorts of loads and the formation of strong connections.

Maintenance

Quick Release Links, Rope Pear Sockets and similar fittings have to be cleaned regularly by removing aggressive and abrasive substances. We recommend that you grease the links and pears. Greasing should at least be carried out at 8 hour intervals when the equipment is in continuous use. Grinding protrusions and

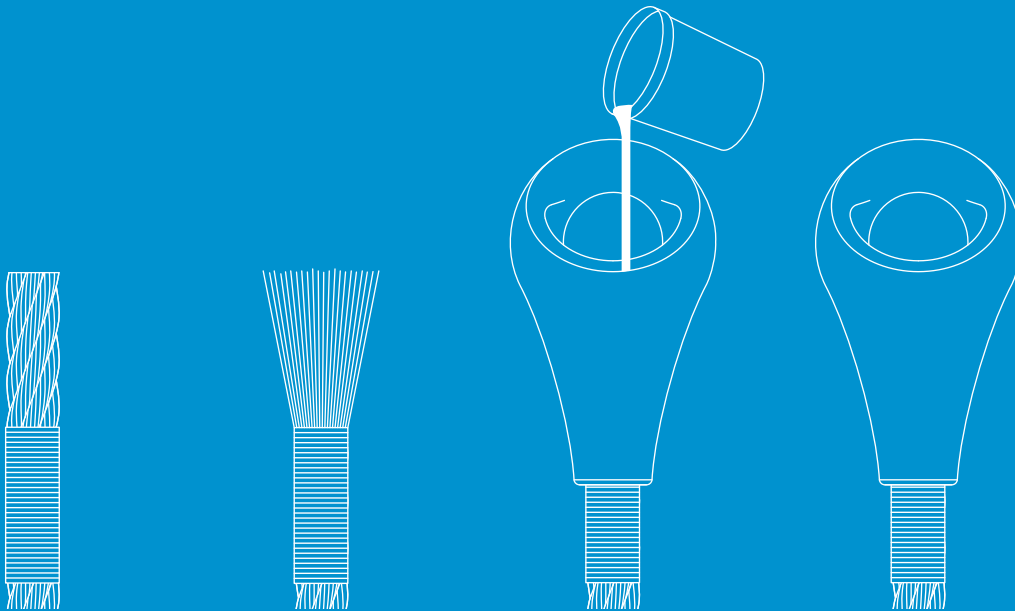
sharp edges caused by wear, in particular on Rope Pear Sockets, will extend the life span. Wear on the surface of the Rope Pear Socket or Quick Release Link of over 10% is not permissible and makes replacement necessary. You may never harden or repair Rope Pear Sockets and Quick Release Links yourself, for example by welding.

Ordering

For further information you can contact Nemag's sales department by email or telephone. You can also request a list of addresses of Nemag Quick Release Link and Rope Pear Socket retailers.

fitting the rope pear socket to steel wire rope

The Rope Pear Socket can be fitted to the steel wire rope in a very straightforward manner using 2-component casting resin, or by way of metallic casting. The casting instructions below are very general; please consult the user manual (www.nemag.com) and the instructions that come with the casting mass. For specific information on the casting material we refer you to your local steel wire rope supplier. When closely following the casting instructions you will achieve a permanent connection between steel wire rope and Rope Pear Socket.



General steps for casting

1. Place Rope Pear Socked over the steel wire rope.
 2. Carefully tie up the wire rope at a length of at least two times the wire rope diameter, starting from a distance that equals the length of the Rope Pear Socket cover to the casting level ridge minus 1x a wire rope diameters.
 3. Untwine all strands to make the ends of the wire rope look like a broom.
 4. Clean the broom thoroughly and remove grease with a (branded) degreaser or ultrasonic cleaning agent. Maintain the broom in a downward position whilst cleaning to prevent liquids from seeping into the wire rope. Then allow the cleaned wire rope end to dry.
 5. Slide the Rope Pear Socket over the broom until the untwined wire ropes almost reach the end (level ridge for casting) of the conical cover of the Rope Pear Socket. Now vertically lock the wire rope and the Rope Pear Socket. The wire rope under the Rope Pear Socket has to be straight along a total length of 24 times the wire rope diameter.
 6. Close the bottom end of the Rope Pear Socket at the end of the wire rope using a sealant to prevent casting material leakage.
 7. Pour the resin and/or casting liquid from above into the Rope Pear Socket cavity as per the instructions provided by the manufacturer of the casting material.
-

Warning

Any warranties, expressed or implied, concerning the use of Rope Pear Sockets and Quick Release Links apply to new, unused products when tested in a standard testing machine under controlled conditions, in direct tension, and at a uniform rate of speed. The term “Breaking load” contains no implication of what load a Rope Pear Socket and Quick Release Link will withstand if not properly used, or if it suffers abuse. All equipment using Rope Pear Sockets and Quick Release Links must be properly maintained. Rope Pear Sockets and Quick Release Links must be properly stored, handled, used and maintained within the rules of user manual. Most importantly, Rope Pear Sockets and Quick Release Links must be regularly inspected before and during each use. Inspections must meet local or applicable national safety regulations. Damage, abuse, overloading or improper maintenance can cause failure and accidents. If in doubt about the safe and proper use of Rope Pear Sockets and Quick Release Links consult manufacturer.

